
Features

- Low ripple < 10 mVpp
- On-board reference source
- Easy adjustment
- Shielded, HF safe package
- 60 V maximum voltage

Description

Precision regulated power module for PIN diodes with low ripple in ultra-compact SMD type package. Output voltage to be set by external resistor.

Application

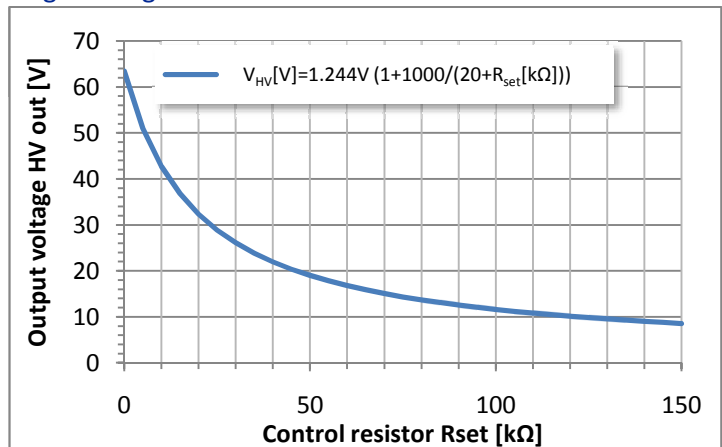
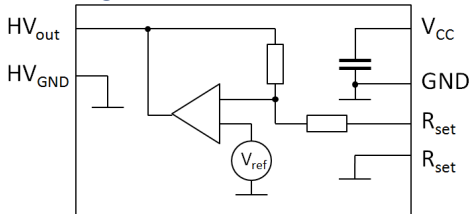
- High voltage for PIN-PD

RoHS

2002/95/EC


Absolute maximum ratings

Symbol	Parameter	Min	Max	Unit
T_{STG}	Storage temp	-10	125	°C
T_{OP}	Operating temp	-10	70	°C
Vcc	Supply Voltage	3	5.5	V

High Voltage Control

Block diagram

Electrical characteristics @ 23°C

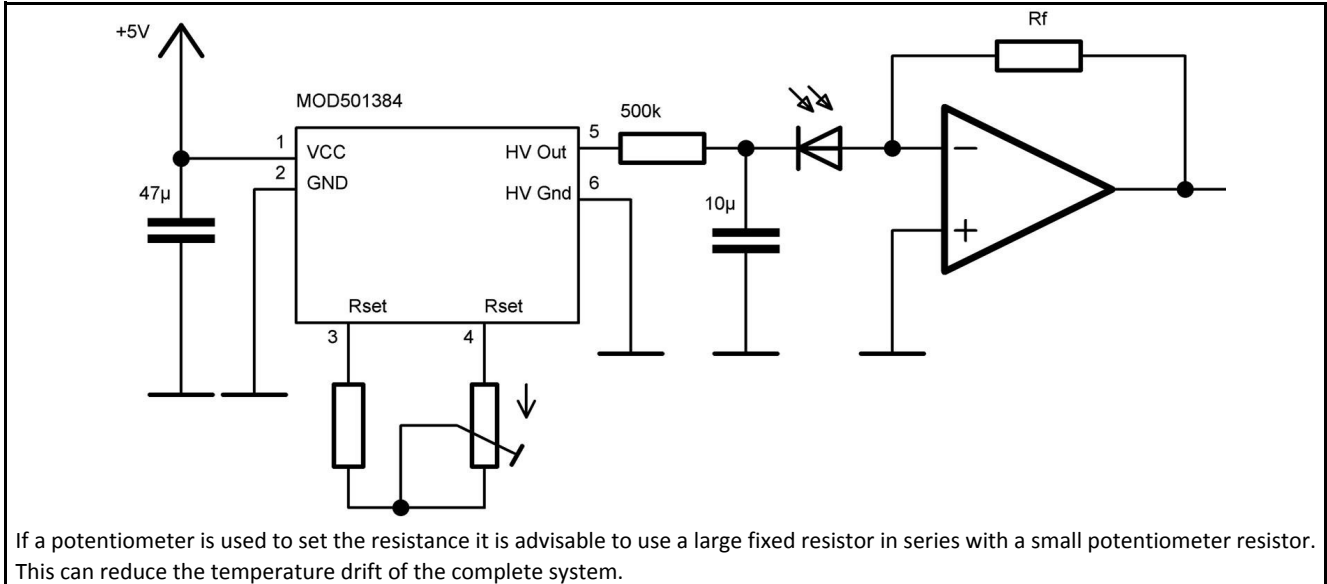
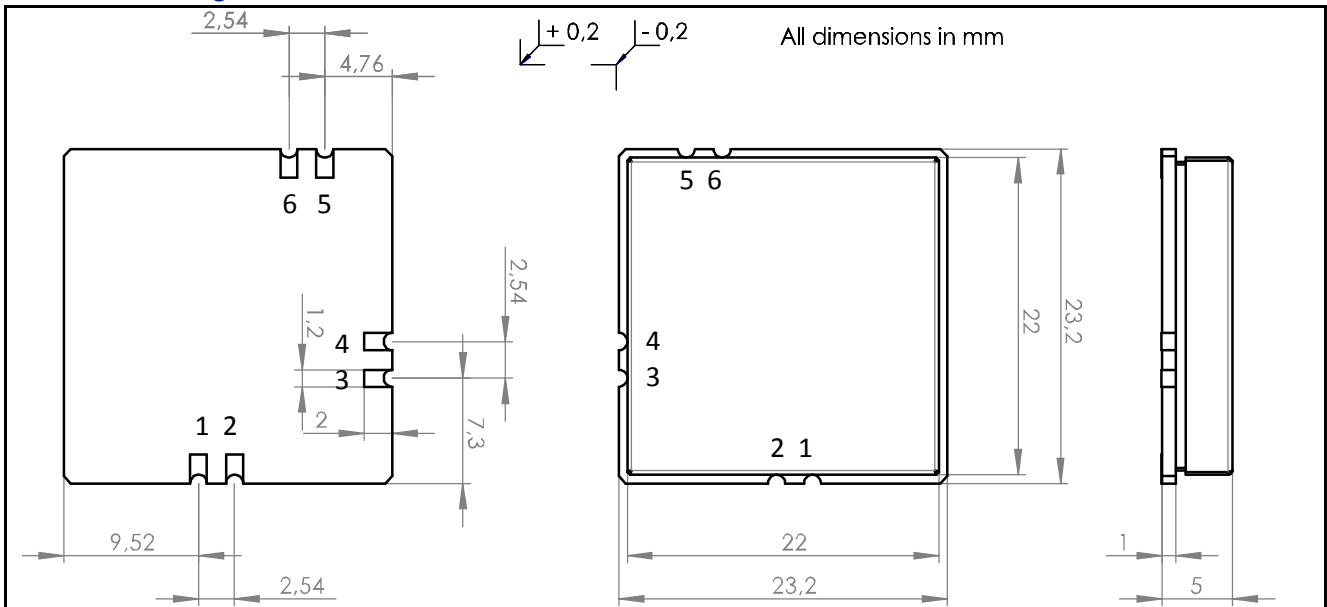
Symbol	Characteristic	Test Condition	Min	Typ	Max	Unit
V _{CC}	Input voltage		+3.3	+5.0	+5.5	V
	Input current w/o load	V _{CC} = 5 V, R _{set} = 0, without R _{load}		11		mA
	Input capacitance			30		μF
R _{set}	Control Resistor	HV _{out} = 10 V ... 63.4 V	0		150	kΩ
V _{REF}	Internal reference voltage			1.244		V
	Set point accuracy		1			%
T _K	Temperature coefficient			50		ppm/K
	Ripple	peak to peak			10	mVpp
	Short circuit protected			5		s
HV _{out}	Output voltage	V _{CC} = 5 V, R _{set} = 0 (for max HV _{out}), R _{set} = 150 kΩ (for min HV _{out})	8.5		63.4	V
	Output current				1	mA

European, International Sales:


First Sensor AG
 Peter-Behrens-Strasse 15
 12459 Berlin
 Germany
 T +49 30 6399 2399
 F +49 30 639923-752
 sales.opto@first-sensor.com

USA:


First Sensor Inc.
 5700 Corsa Avenue #105
 Westlake Village
 CA 91362 USA
 T +1 818 706 3400
 F +1 818 889 7053
 sales.us@first-sensor.com

Application hints

Technical drawing

Mechanical characteristics

Parameter	Parameter	Unit
Length	23.2	mm
Width	23.2	mm
Height	5	mm
Volume	2.7	cm ³
Weight	6	g
Case material	Tinplate	

Lead connections

Lead	Symbol	Function
1	V _{CC}	Input voltage
2	GND	Ground
3	R _{set}	Resistor
4	R _{set}	Resistor
5	HV _{out}	High voltage output
6	HV _{GND}	High voltage ground

Disclaimer: Due to our strive for continuous improvement, specifications are subject to change within our PCN policy according to JESD46C.

European, International Sales:


First Sensor AG
 Peter-Behrens-Strasse 15
 12459 Berlin
 Germany
 T +49 30 6399 2399
 F +49 30 639923-752
 sales.opto@first-sensor.com

USA:


First Sensor Inc.
 5700 Corsa Avenue #105
 Westlake Village
 CA 91362 USA
 T +1 818 706 3400
 F +1 818 889 7053
 sales.us@first-sensor.com